



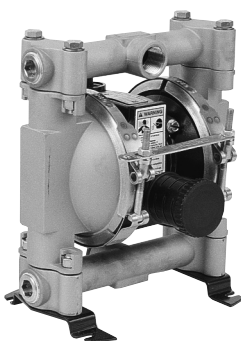
First choice when
quality counts.™

Husky™ 715 Air-Operated Diaphragm Pumps



Aluminum

- **No seals to leak or fail mean less downtime**
- **Clean, hands-off fluid handling**
- **Quiet running, less than 85 dB(A) with easy to use remote muffler capability for even lower noise levels**
- **High flow - 16 gpm (60 lpm) in a small portable package**

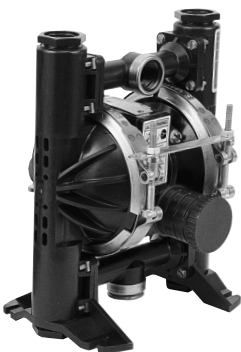


Stainless Steel

Multiple Uses and Hard Working

The Husky 715 is a versatile pump, well suited for a variety of utility duties requiring operation up to 16 gpm (60 lpm) with light to medium viscosity fluids. This is an excellent pump for a variety of applications, including machine lube servicing, cleaning fluids and detergents, plating and dip tanks, water treatment, chemicals and other difficult fluids. Uses include drum evacuation, chemical injection, ceramic glaze supply, low viscosity printing inks and similar fluids. Because of its small size, the Husky 715 is compact, lightweight and easy to carry.

**Reliable
transfer pump
handles
a variety
of fluids**



Acetal

The Husky 715 is available in four models: Acetal for solvents and flammables, Polypropylene for acids and bases, Aluminum for oil and water and most solvents, and Stainless Steel for those wanting an all metal pump with excellent corrosion and abrasion resistance. UL models are available for oil transfer, or waste oil evacuation.

Air Valve Design

The Husky 715 now features Graco's patented air valve design with the following advantages.

- Simple design with only 15 parts, accessed by removing six screws
- Lubricated air is not required
- Air valve operates with 20 psi (0.14 MPa, 1.4 bar) air or less
- Common to Graco's Husky 307 pump



Polypropylene

COMPONENTS

Technical Specifications

- Maximum fluid pressure 100 psi (7 bar)
- Maximum free flow delivery 16 gpm (60 l/min.)
- Displacement08 gallon (0.3 liter)
- Maximum pump speed 200 cycles/min.
- Maximum size pumpable solids 3/32 in. (2.4 mm)
- Maximum suction lift – wet 21 ft. (6.4 m)
- Maximum suction lift – dry 16 ft. (4.9 m)
- Air pressure operating range 25-100 psi (1.7-7 bar)
- Operating temperature range 40°-150°F (5°-65°C)
- Maximum noise level 85 dB(A)
- Air inlet 1/4 npt(f)
- Fluid inlet/outlet 3/4 npt(f)
- Maximum air consumption 19 scfm
- Maximum recommended viscosity 5000 cps
- Dimensions (W x H x D) 8-3/4 in. x 10-3/4 in. x 7-1/2 in.
(222 mm x 273 mm x 191 mm)

Weight

- Acetal and Polypropylene 7 lbs. (3.2 kg)
- Aluminum 9.6 lbs. (4.4 kg)
- Stainless Steel 19.25 lbs. (8.7 kg)
- Mounting Hole Layout 4.3 in. x 6.62 in.
(109 mm x 168 mm)

Instruction manuals

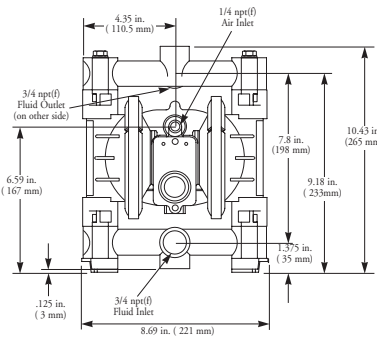
- Acetal and Polypropylene 308-444
- Aluminum and Stainless Steel 308-445



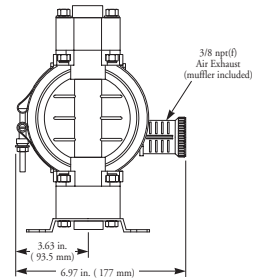
Husky 715 Pump Dimensions

Metal Models

Front View

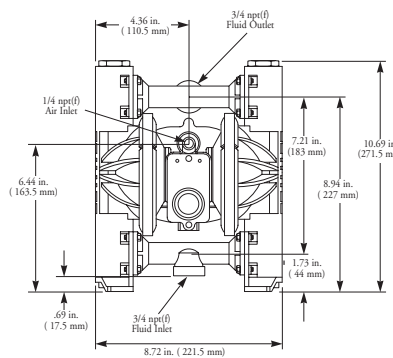


Side View

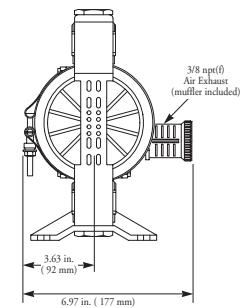


Plastic Models

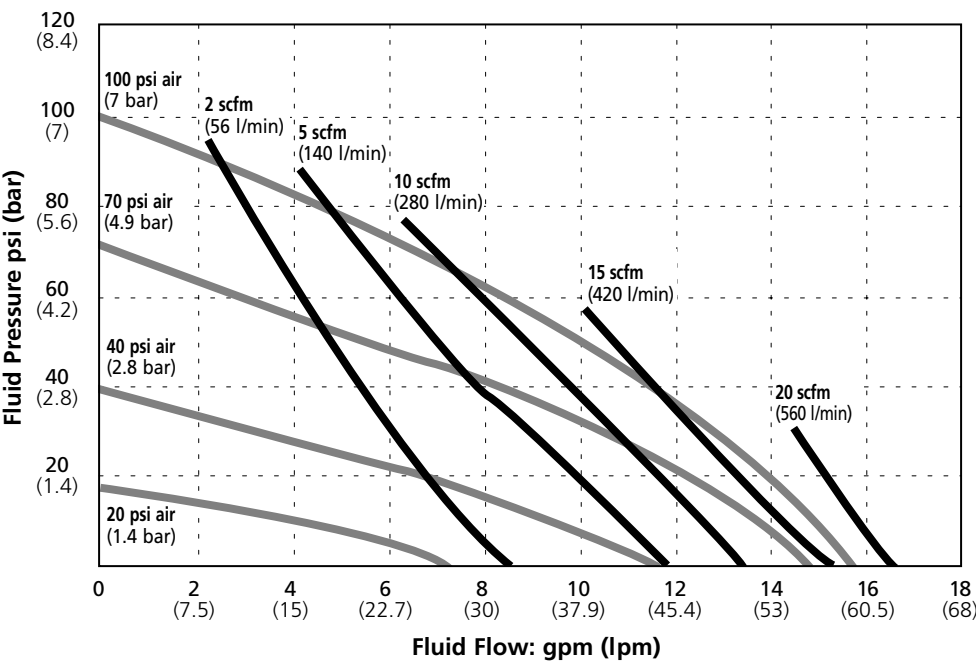
Front View



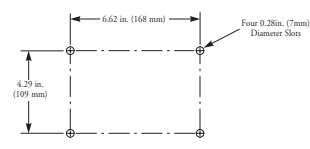
Side View



Husky 715 Performance Chart (Inlet Submerged in Water)



Mounting Hole Pattern for Metal and Plastic:



Fluid Flow Pressure
Air Consumption

Order Numbers for the Husky 715

Polypropylene

Part No.	Seats/Guides	Balls	Diaphragms	Service Kits
D62-211	Acetal	Teflon	Teflon	D06-211
D62-277	Acetal	Buna-N	Buna-N	D06-277
D62-311	SST	Teflon	Teflon	D06-311
D62-331	SST	SST	Teflon	D06-331
D62-336	SST	SST	Santoprene	D06-336
D62-911	Polypropylene	Teflon	Teflon	D06-911
D62-915	Polypropylene	Teflon	Hytrel	D06-915
D62-916	Polypropylene	Teflon	Santoprene	D06-916
D62-918	Polypropylene	Teflon	Viton	D06-918
D62-931	Polypropylene	SST	Teflon	D06-931
D62-937	Polypropylene	SST	Buna-N	D06-937
D62-955	Polypropylene	Hytrel	Hytrel	D06-955
D62-961	Polypropylene	Santoprene	Teflon	D06-961
D62-966	Polypropylene	Santoprene	Santoprene	D06-966
D62-977	Polypropylene	Buna-N	Buna-N	D06-977
D62-988	Polypropylene	Viton	Viton	D06-988

Aluminum

D63-211	Acetal	Teflon	Teflon	D05-211
D63-215	Acetal	Teflon	Hytrel	D05-215
D63-231	Acetal	SST	Teflon	D05-231
D63-255	Acetal	Hytrel	Hytrel	D05-255
D63-266	Acetal	Santoprene	Santoprene	D05-266
D63-277	Acetal	Buna-N	Buna-N	D05-277
D63-288	Acetal	Viton	Viton	D05-288
D63-311	SST	Teflon	Teflon	D05-311
D63-315	SST	Teflon	Hytrel	D05-315
D63-331	SST	SST	Teflon	D05-331
D63-335	SST	SST	Hytrel	D05-335
D63-336	SST	SST	Santoprene	D05-336
D63-337	SST	SST	Buna-N	D05-337
D63-338	SST	SST	Viton	D05-338
D63-355	SST	Hytrel	Hytrel	D05-355
D63-366	SST	Santoprene	Santoprene	D05-366
D63-377	SST	Buna-N	Buna-N	D05-377
D63-388	SST	Viton	Viton	D05-388
D63-911	Polypropylene	Teflon	Teflon	D05-911
D63-955	Polypropylene	Hytrel	Hytrel	D05-955
D63-966	Polypropylene	Santoprene	Santoprene	D05-966
D63-977	Polypropylene	Buna-N	Buna-N	D05-977

Acetal

Part No.	Seats/Guides	Balls	Diaphragms	Service Kits
D61-211	Acetal	Teflon	Teflon	D06-211
D61-231	Acetal	SST	Teflon	D06-231
D61-255	Acetal	Hytrel	Hytrel	D06-255
D61-266	Acetal	Santoprene	Santoprene	D06-266
D61-275	Acetal	Buna-N	Hytrel	D06-275
D61-277	Acetal	Buna-N	Buna-N	D06-277
D61-311	SST	Teflon	Teflon	D06-311
D61-331	SST	SST	Teflon	D06-331
D61-911	Polypropylene	Teflon	Teflon	D06-911
D61-977	Polypropylene	Buna-N	Buna-N	D06-977

SST

D64-211	Acetal	Teflon	Teflon	D05-211
D64-231	Acetal	SST	Teflon	D05-231
D64-311	SST	Teflon	Teflon	D05-311
D64-331	SST	SST	Teflon	D05-331
D64-335	SST	SST	Hytrel	D05-335
D64-336	SST	SST	Santoprene	D05-336
D64-377	SST	Buna-N	Buna-N	D05-377
D64-381	SST	Viton	Teflon	D05-381
D64-388	SST	Viton	Viton	D05-388
D64-911	Polypropylene	Teflon	Teflon	D05-911

UL Listed

238-226	Acetal	Buna-N	Buna-N	D05-277
237-311	Acetal	Buna-N	Buna-N	D05-277
237-402	Acetal	Buna-N	Buna-N	D05-277

Husky 715 Pump Accessories

- 190-246 Aluminum Manifold for Vertical Suction Port**
- 221-169 Groundable Air Hose**
Max. working pressure: 300 psi (2.1 MPa, 21 bar).
1/2 in. ID x 10 ft. (3 m).
- 110-146 Air Line Filter**
Max. working pressure: 300 psi (2.1 MPa, 21 bar).
- 208-536 Air Quick Connect Coupler, 1/4 npt(f)**
- 169-970 Air Quick Connect Nipple, 1/4 npt(m)**
- 110-147 Air Regulator, 1/4 npt(f) with cover**
- 110-149 Combination Unit, 1/4 npt(f).**
Includes filter, regulator, lubricator and gavel.

Groundable Fluid Hoses:

Max. working pressure: 500 psi (3.5 MPa, 35 bar). Nylon core, urethane cover, 3/4 in. ID, 3/4 npt(mbe) and SST fittings.

- 221-170** 3 ft. (0.9 m)
- 221-171** 6 ft. (1.8 m)
- 221-172** 10 ft. (3.0 m)
- 221-173** 25 ft. (7.6 m)
- 110-134 Fluid Pressure Relief Valve**
Venting pressure: 150 psi (1.05 MPa, 10.5 bar)
- 221-174 Dual Manifold Kit, Acetal only**
- 185-615 Dual Manifold Kit, Polypropylene only**
Allows mixing of fluids or handling two fluids with one pump.
- 238-007 Air Valve Conversion Kit**
For pumps purchased prior to 1995.
- 239-952 Air Valve Conversion Kit**
For pumps purchased after 1995.
- 224-820 Air Valve Service Kit**
- 238-084 Evacuation Air Restrictor Kit**
- 221-094 Suction Kit**
55 gallon (200 liter), bung mount, SST.
- 221-095 Pail Mount Kit**
5 gallon (19 liter). Includes cover, suction tube and hardware.
- 222-011 Grounding Wire and Clamp**
Length: 25 ft. (7.6 m). 12 ga. (1.5 mm²)
- 224-835 Wall Mounting Bracket**

Automatic Husky 715, 3/4 in. Surge Suppressors

Polypropylene wetted bottom housing and non-wetted top housing
Weight: 9 lbs. (4.1 kg)

- 239-096** with Buna-N bladder
- 239-121** with Teflon® bellows
- 239-122** with Viton® bladder

SST wetted bottom housing and non-wetted top housing
Weight: 16 lbs. (7.3 kg)

- 239-095** with Buna-N bladder
- 239-123** with Teflon® bellows
- 239-124** with Viton® bladder

Acetal wetted bottom housing and non-wetted top housing
Weight: 9 lbs. (4.1 kg)

- 239-094** with Buna-N bladder
- 239-125** with Teflon® bellows

Adjustable Husky 715, 3/4 in. Surge Suppressors

Polypropylene wetted bottom housing and non-wetted top housing
Weight: 9 lbs. (4.1 kg)

- 239-091** with Buna-N bladder
- 239-129** with Teflon® bellows
- 239-130** with Viton® bladder

SST wetted bottom housing and non-wetted top housing
Weight: 16 lbs. (7.3 kg)

- 239-090** with Buna-N bladder
- 239-131** with Teflon® bellows
- 239-132** with Viton® bladder

Acetal wetted bottom housing and non-wetted top housing
Weight: 9 lbs. (4.1 kg)

- 239-089** with Buna-N bladder
- 239-133** with Teflon® bellows

Aluminum wetted bottom housing and non-wetted top housing
Weight: 9 lbs. (4.1 kg)

- 224-892** with Teflon® bellows
- 224-893** with Buna-N bladder

SST wetted bottom housing and aluminum non-wetted top housing
Weight: 16 lbs. (7.3 kg)

- 224-894** with Teflon® bellows
- 224-895** with Buna-N bladder